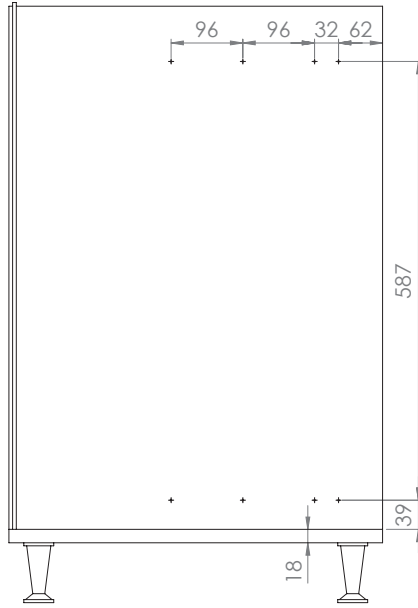
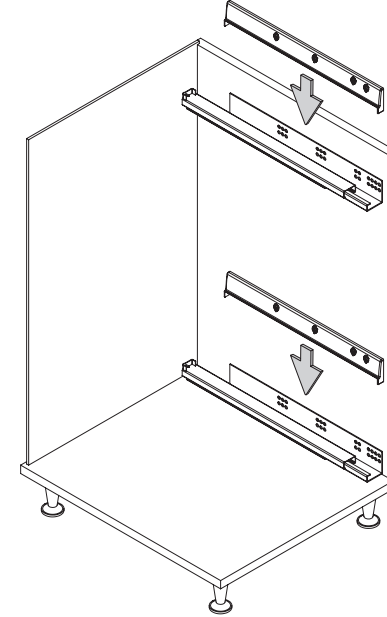


- YANDAN GİZLİ RAYLI TAVALIK MONTAJ ŞEMASI (SOL)
- PAN HOLDER UNIT WITH SIDE UNDERMOUNT RAIL MOUNTING INSTRUCTIONS (LEFT)

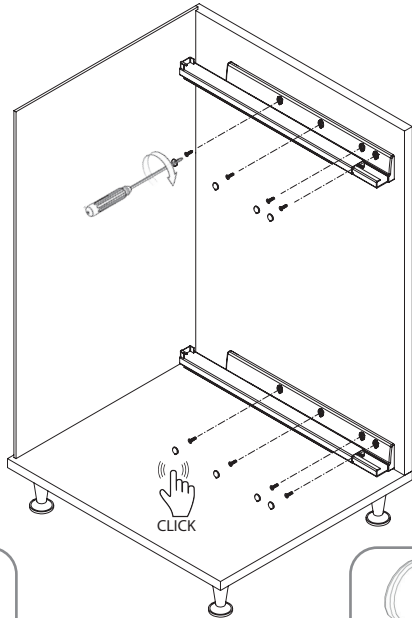
A-1



B-1



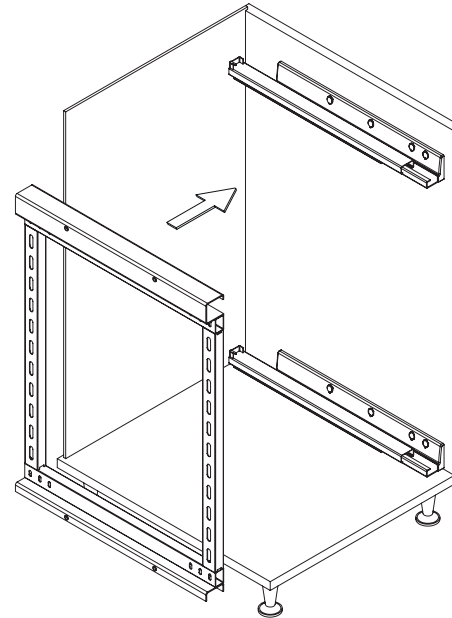
C-1



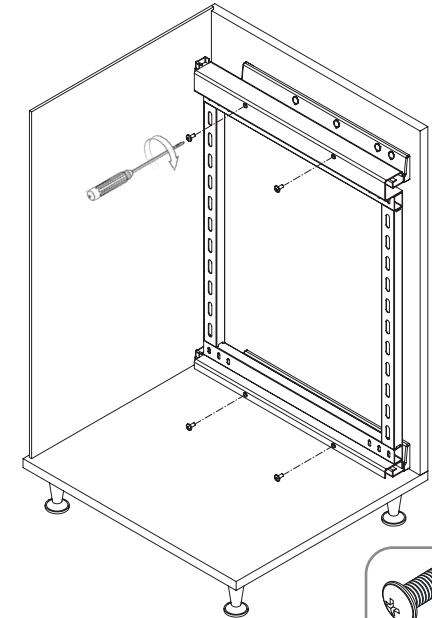
8x
3.5x16

4x
Cover

D-1

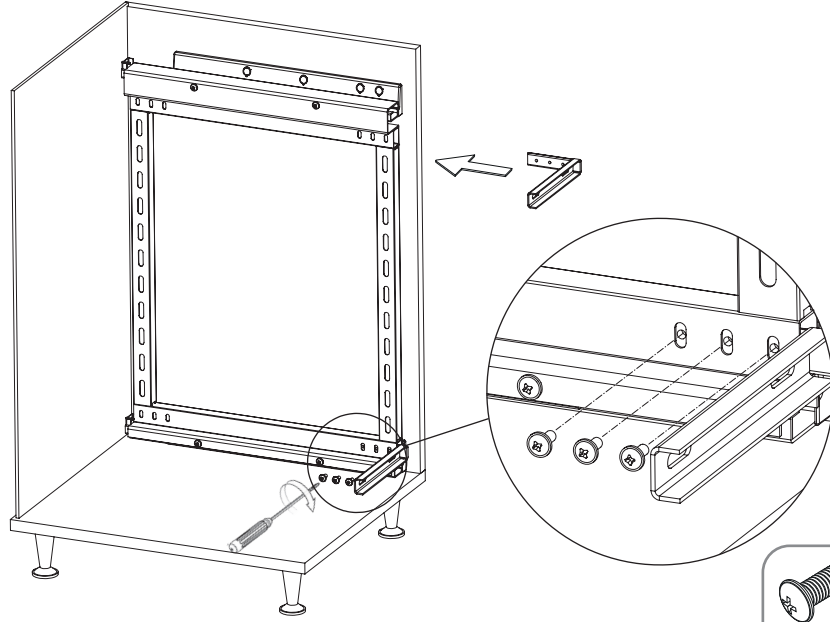


D-2



4x RYSB
M5x12

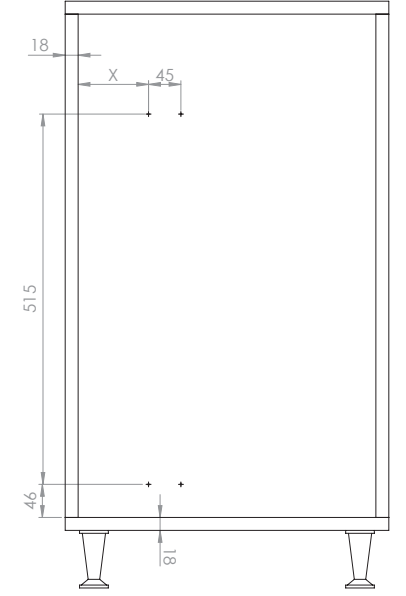
E-1



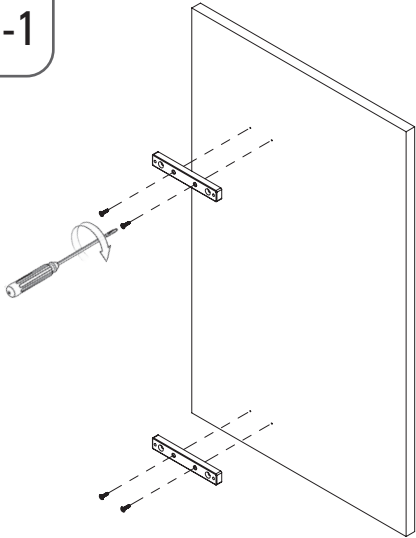
6x RYSB
M5x12

F-1

C	X
250	98
300	98
350	138
400	138
450	138

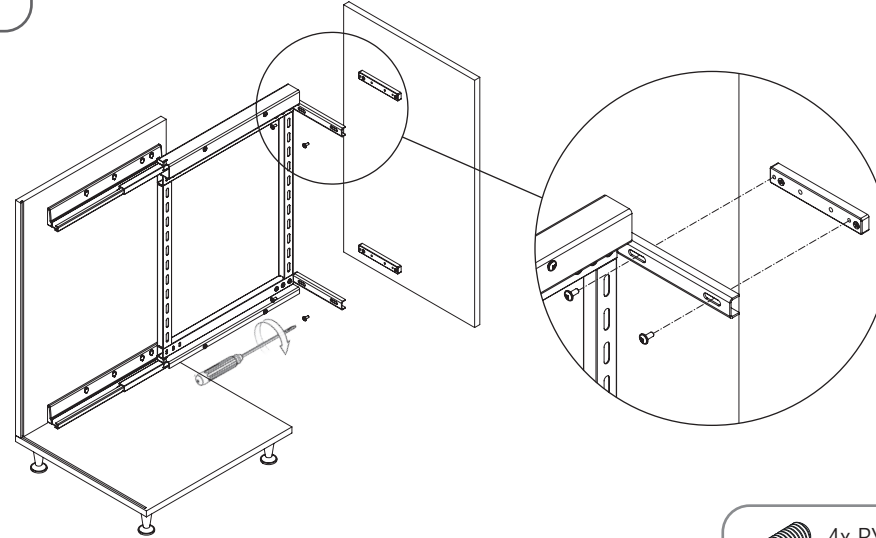


G-1



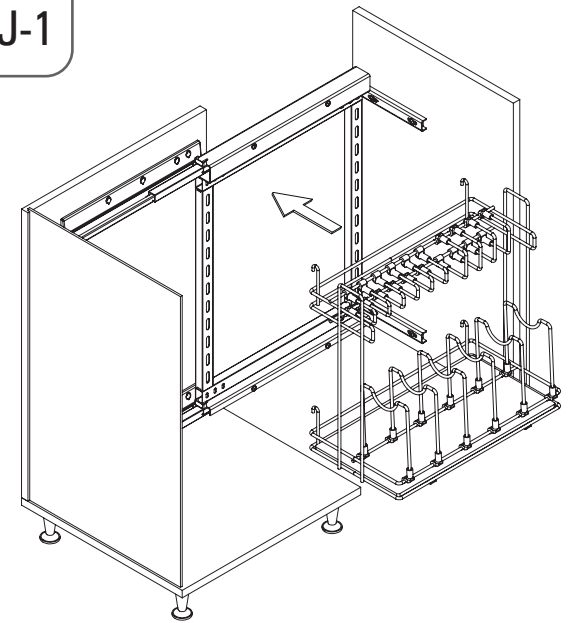
4x
4x25

H-1



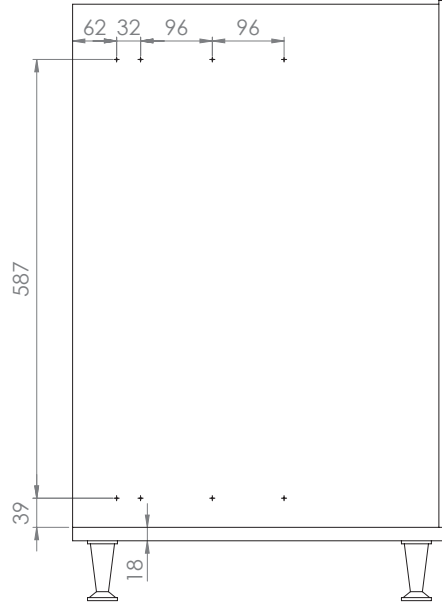
4x RYSB
M5x12

J-1

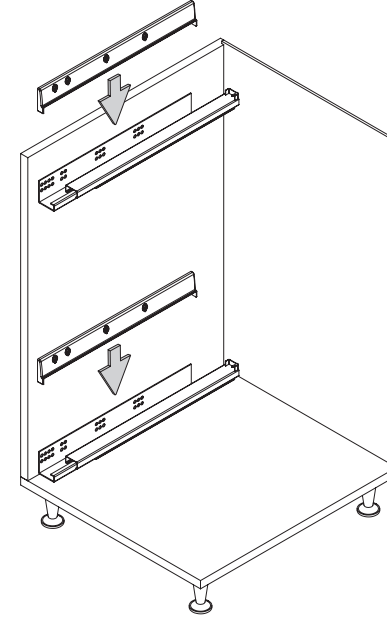


- YANDAN GİZLİ RAYLI TAVALIK MONTAJ ŞEMASI (SAĞ)
- PAN HOLDER UNIT WITH SIDE UNDERMOUNT RAIL MOUNTING INSTRUCTIONS (RIGHT)

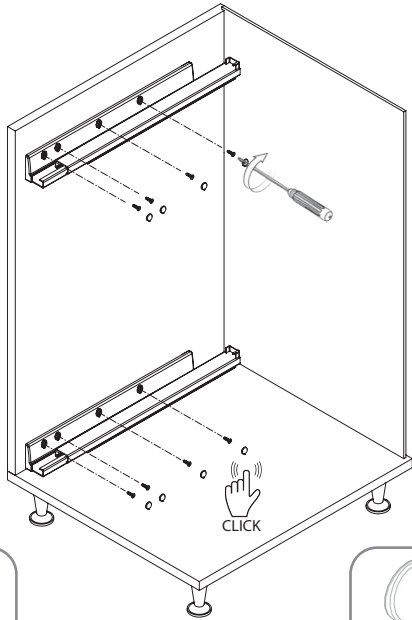
A-1



B-1



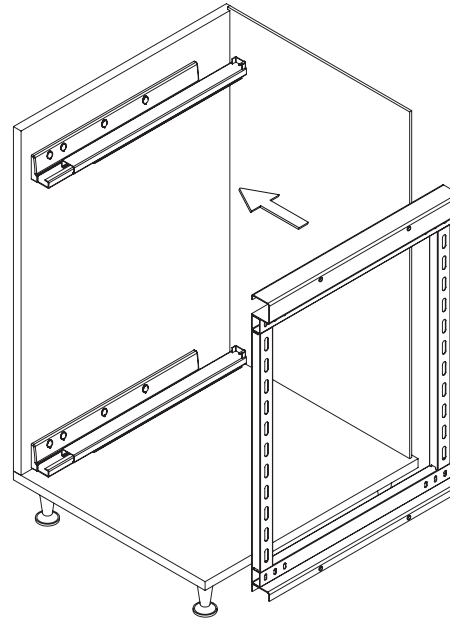
C-1



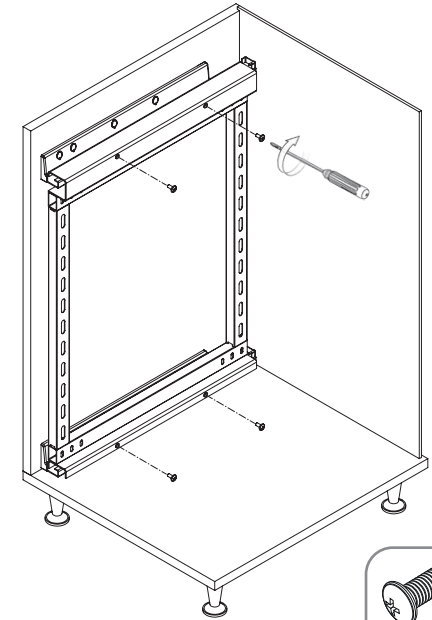
8x
3.5x16

4x
Cover

D-1

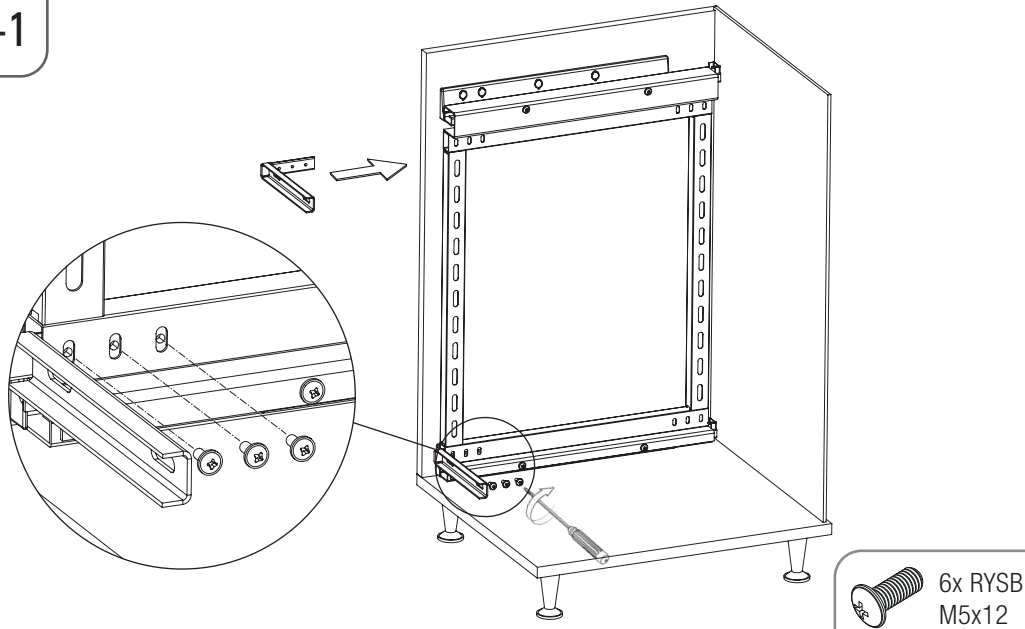


D-2



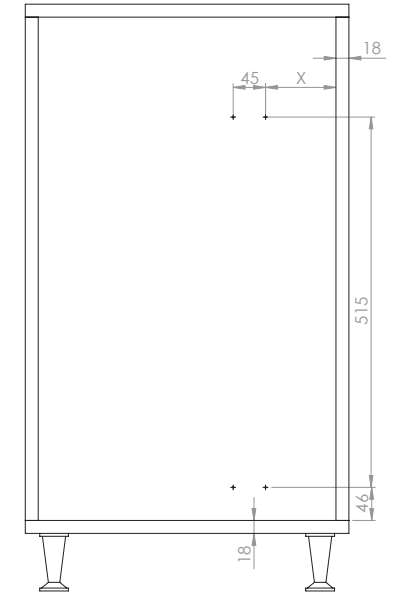
4x RYSB
M5x12

E-1

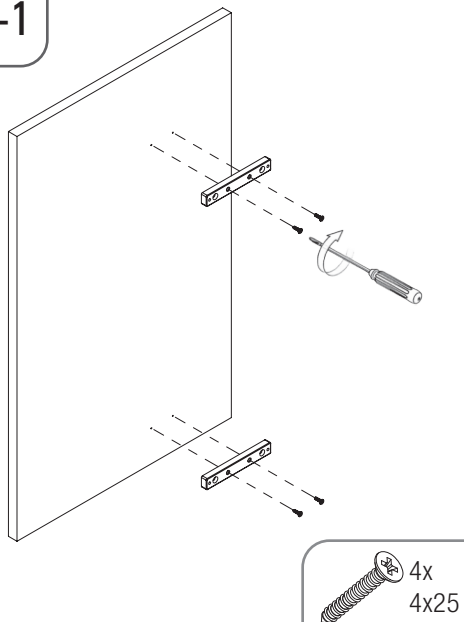


F-1

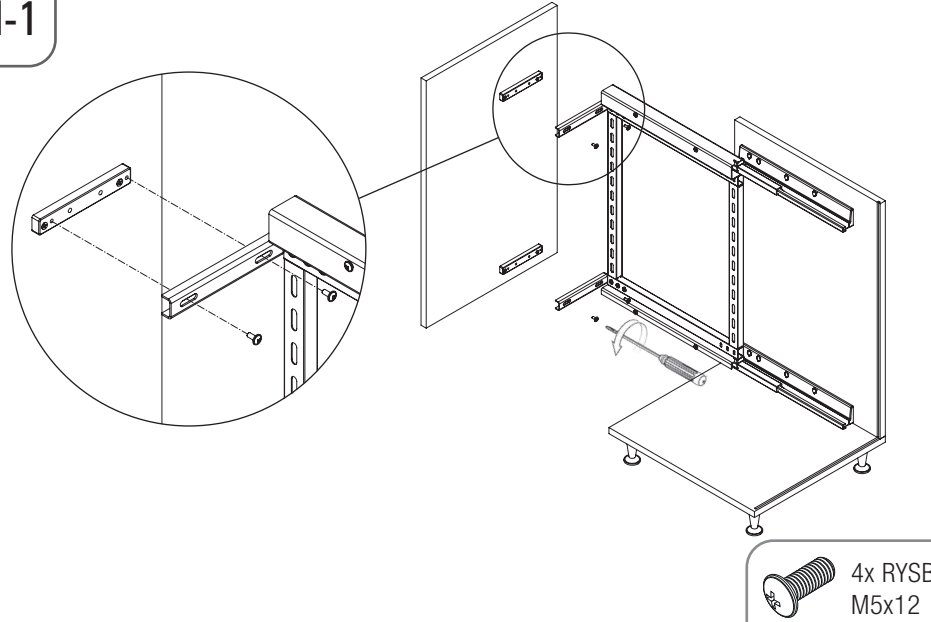
C	X
250	98
300	98
350	138
400	138
450	138



G-1



H-1



J-1

