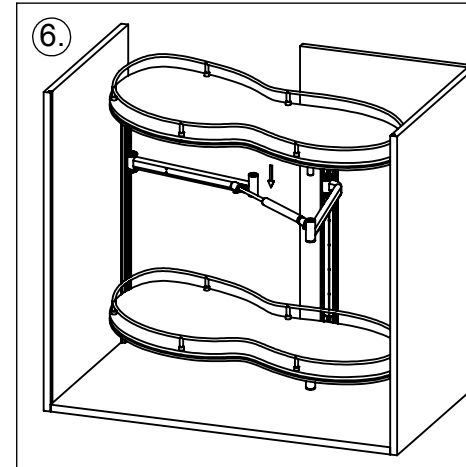
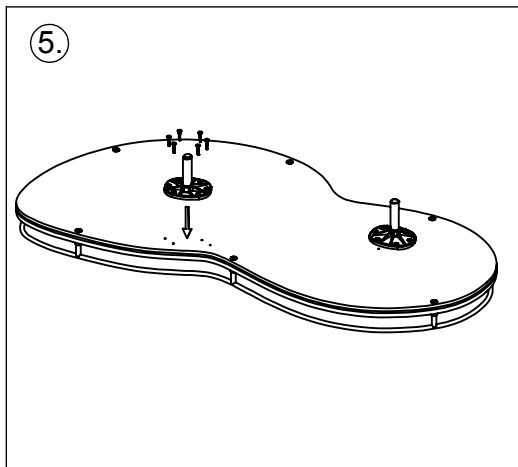
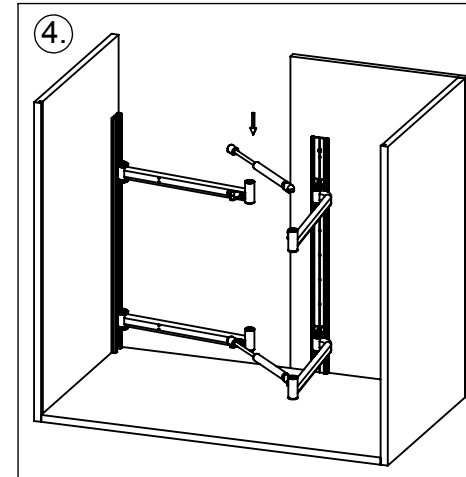
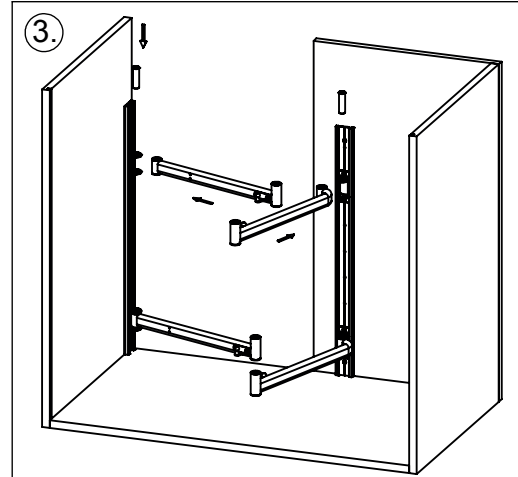
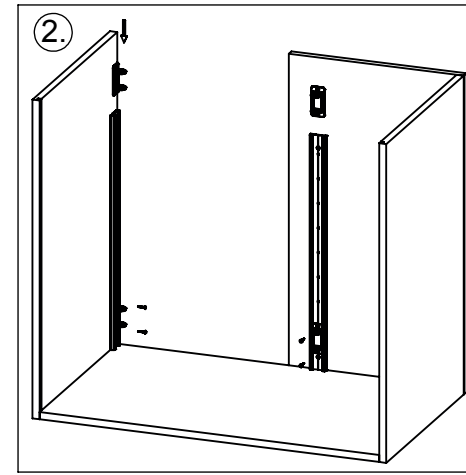
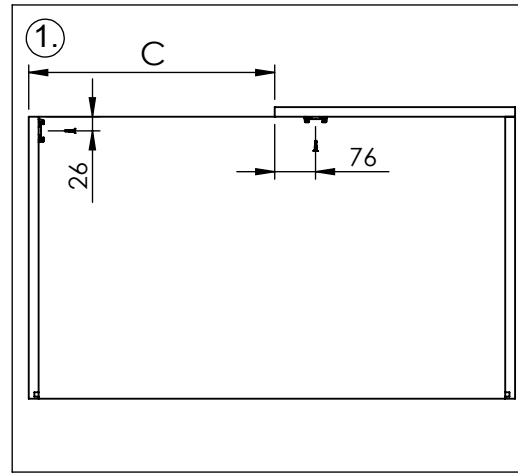
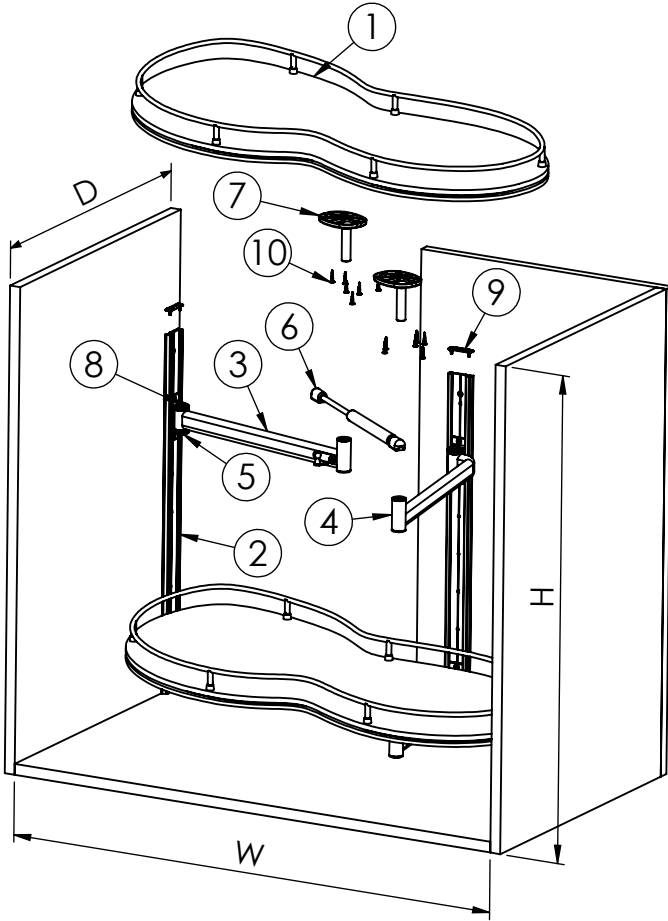


• 45 cm DÖNER TABLALI KÖRKÖŞE
MEKANİZMASI MONTAJ ŞEMASI (SAĞ)

• 45 cm TURNBOARD SECRET CORNER
MECHANISM MOUNTING INSTRUCTIONS
(RIGHT)



KULLANILAN PARÇALAR ITEMS PART

NO	PARÇA RESMİ PART DRAWING	ADET PCS.
1		2
2		2
3		2
4		2
5		4
6		2
7		4
8		4
9		2
10		36

W	Min : 864 mm
D	Min : 510 mm
H	Min : 600 mm
C	Min : 450 mm